

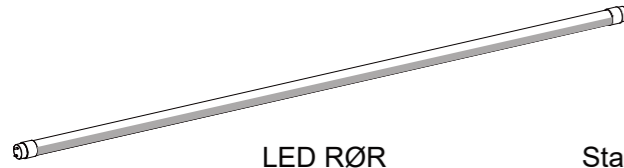
Instruktioner



ADVARSEL:

1. SLUK FOR STRØMMEN FØR INSTALLATION!
2. SØRG VENLIGST FOR AT LÆSE INSTRUKTIONERNE NØJE INDEN INSTALLATION PÅBEGYNDES.
3. DETTE PRODUKT ER INKOMPATIBELT MED ELEKTRONISK BALLAST.
4. DETTE PRODUKT ER PRODUCERET TIL ALM. BRUG.
5. DETTE PRODUKT ER MULIGVIS IKKE EGNET I ALLE APPLIKATIONER, HVOR EN TRADITIONEL FLUORESCERENDE LAMPE ER BRUGT. TEMPERATUROMRÅDET FOR DENNE LAMPE ER MERE BEGRÆNSET. I TILFÆLDE AF TVIVL SKAL FABRIKANTEN KONSULTERES.
6. DER MÅ IKKE FORETAGES ÆNDRINGER AF ARMATURET, SOM LED PÆREN SKAL BRUGES I.

Indhold: LED rør (1 stk), instruktioner, LED starter (1 stk) samt label.



LED RØR



Starter type: SF650
Replace starter type: SF650

Produkt Specifikationer:

Indgangsspænding: 220-240V~

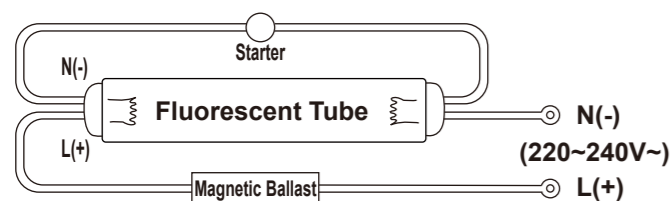
Frekvens: 50/60Hz

Miljø: -20°C til +45°C, <95% fugtighed.

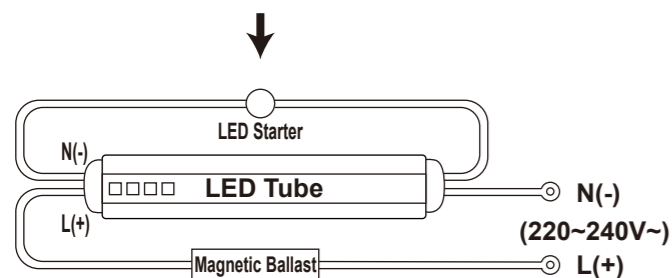
Article Number	Wattage	Input Voltage	Input Frequency	The type of lamp it replaces			
				Nominal Wattage	Cap	Nominal Dimensions	IP Rating
18244	16W	220-240V~	50/60Hz	16W	G13	1200 × 26mm	IP20
18245	23W	220-240V~	50/60Hz	23W	G13	1500 × 26mm	IP20
18246	9W	220-240V~	50/60Hz	9W	G13	600 × 26mm	IP20
18247	16W	220-240V~	50/60Hz	16W	G13	1200 × 26mm	IP20
18248	20W	220-240V~	50/60Hz	20W	G13	1200 × 26mm	IP20
18249	23W	220-240V~	50/60Hz	23W	G13	1500 × 26mm	IP20

Retrofit 1:

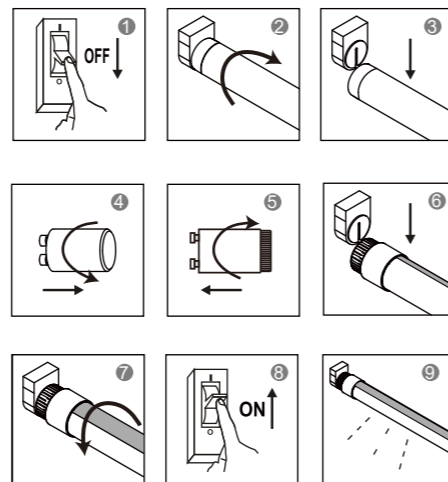
Ledningseksempel (enkelt kredsløb med magnetisk eller lavt tab ballast)



FØR RETROFIT.

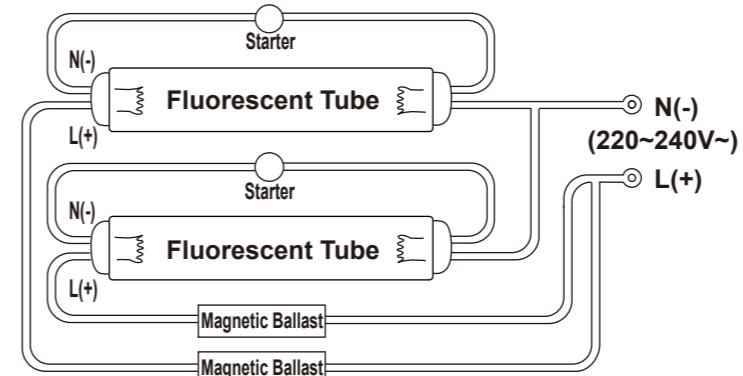


EFTER RETROFIT.

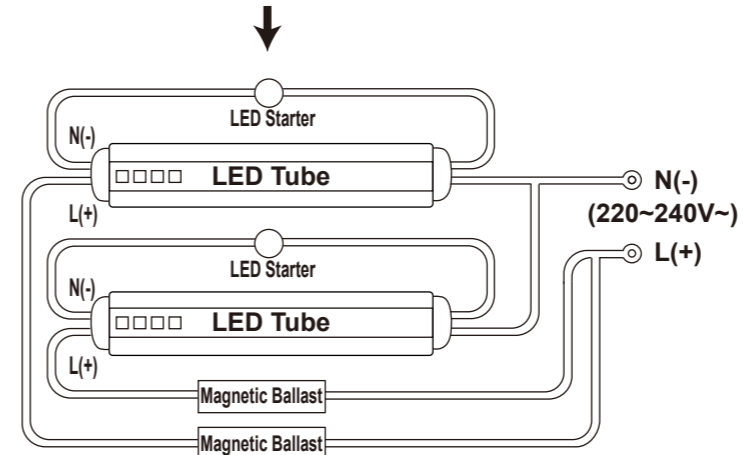


* Hvis armaturet indeholder en kompenserende kondensator, skal du sørge for at den fjernes fra kredsløbet.

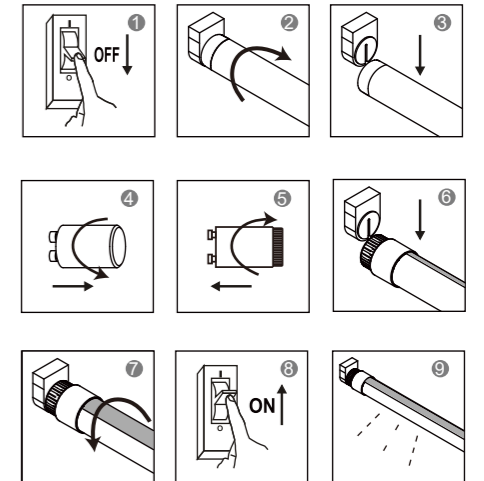
Ledningseksempel (dobbelt kredsløb med magnetisk eller lavt tab ballast)



FØR RETROFIT.



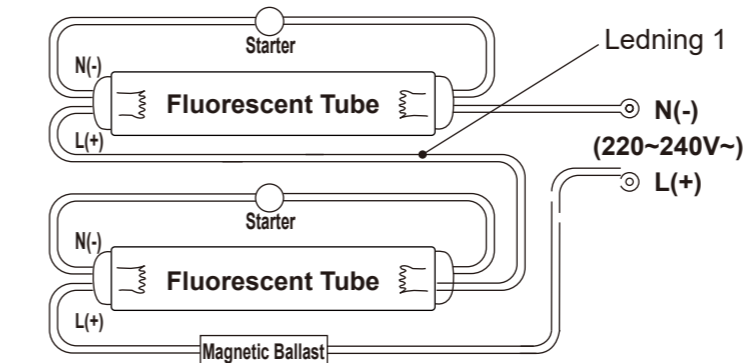
EFTER RETROFIT.



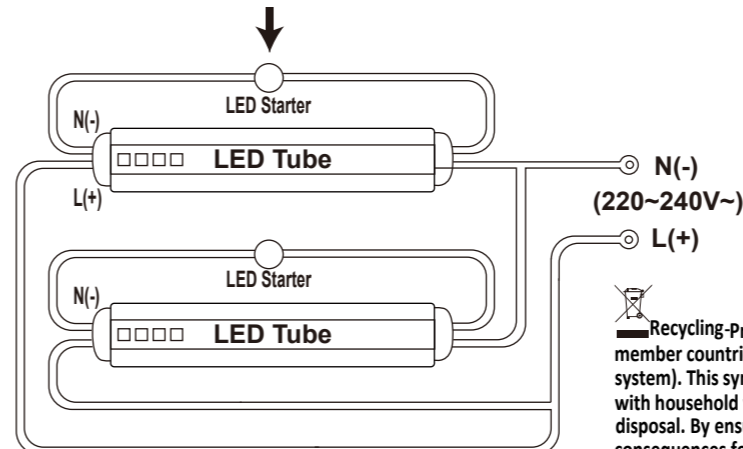
* Hvis armaturet indeholder en kompenserende kondensator, skal du sørge for at den fjernes fra kredsløbet.

Retrofit 2:

Ledningseksempel (tandem kredsløb med magnetisk eller lavt tab ballast)



FØR RETROFIT.



EFTER RETROFIT.

Instruktion:

1. Sluk for strømforsyningen.
2. Fjern det konventionelle lysstofrør og starteren.
3. Tag den magnetiske ballast ud.
4. Fjern ledning 1.
5. Tilslut den positive terminal på LED rør 1 og LED rør 2 til den positive terminal på strømforsyningen.
6. Tilslut den negative terminal på LED rør 1 og LED rør 2 til den negative terminal på strømforsyningen.
7. Installer T8 LED rør og LED starter til rørdretningen separat.
8. Tænd for strømforsyningen.

Recycling-Processing of electric and electronic equipment at the end of their service life (applicable in member countries of the European Union and other European countries operating a selective waste collection system). This symbol, affixed to the product or its packaging, indicates that the product must not be processed with household waste. It must be brought to an electric and electronic waste collection point for recycling and disposal. By ensuring the appropriate disposal of this product you also help in preventing potentially negative consequences for the environment and human health. The recycling of materials helps preserve our natural resources. For further information regarding the recycling of this product, please contact your municipality, local waste disposal centre or the store where the product was purchased.

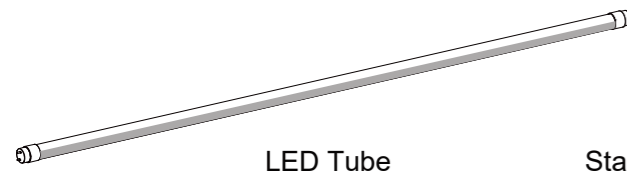
User and Instructions Manual



ADVASEL:

1. SWITCH OFF POWER BEFORE STARTING INSTALLATION!
2. PLEASE READ THE IMPORTANT INSTRUCTIONS BELOW CAREFULLY BEFORE INSTALLATION.
3. THIS PRODUCT IS INCOMPATIBLE WITH ELECTRONIC BALLAST.
4. THIS LAMP IS DESIGNED FOR GENERAL LIGHTING SERVICES(EXCLUDING FOR EXAMPLE EXPLOSIVE ATMOSPHERES).
5. THIS LAMP MAY NOT BE SUITABLE FOR USE IN ALL APPLICATIONS WHERE A TRADITIONAL FLUORESCENT LAMP HAS BEEN USED. THE TEMPERATURE RANGE OF THIS LAMP IS MORE RESTRICTED. IN CASES OF DOUBT REGARDING THE SUITABILITY OF THE APPLICATION THE MANUFACTURER OF THIS LAMP SHOULD BE CONSULTED.
6. NO MODIFICATIONS OF THE LUMINAIRE WHICH THE LED LAMP IS TO BE USED WITH ARE TO BE MADE.

The package contains of LED Tube(1pc)installation instruction(1pc), replacement starter: LED STARTER (1pc),label(1pc).



Starter tpye: SF650
Replace starter tpye: SF650

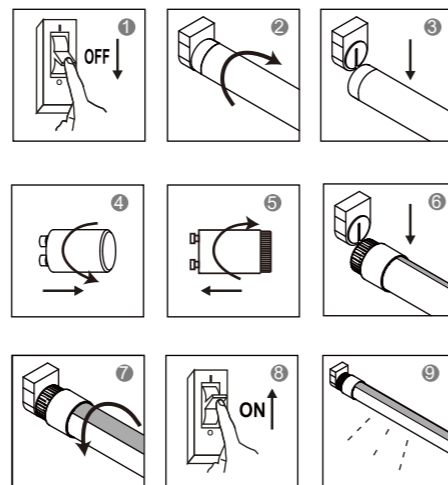
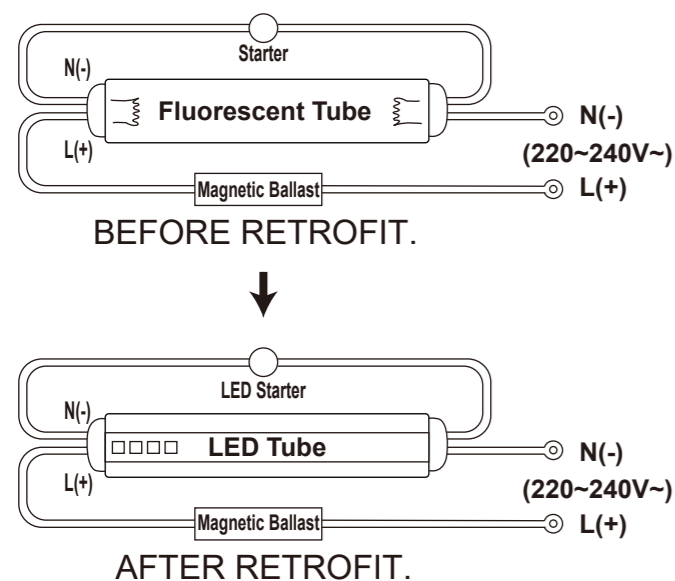
Product Specification:

Input voltage: 220-240V~
Frequency: 50/60Hz
Environment: -20°C to +45°C, <95% humidity.

Article Number	Wattage	Input Voltage	Input Frequency	The type of lamp it replaces			
				Nominal Wattage	Cap	Nominal Dimensions	IP Rating
18244	16W	220-240V~	50/60Hz	16W	G13	1200 × 26mm	IP20
18245	23W	220-240V~	50/60Hz	23W	G13	1500 × 26mm	IP20
18246	9W	220-240V~	50/60Hz	9W	G13	600 × 26mm	IP20
18247	16W	220-240V~	50/60Hz	16W	G13	1200 × 26mm	IP20
18248	20W	220-240V~	50/60Hz	20W	G13	1200 × 26mm	IP20
18249	23W	220-240V~	50/60Hz	23W	G13	1500 × 26mm	IP20

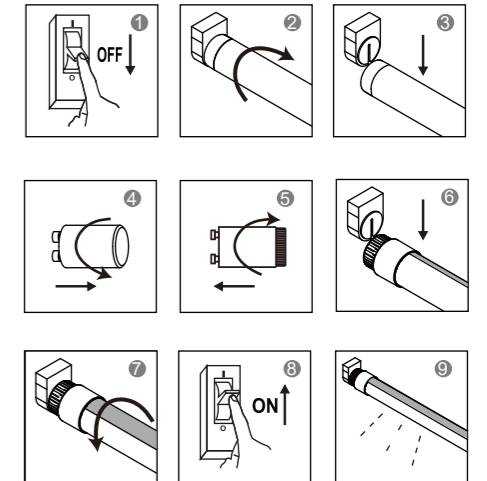
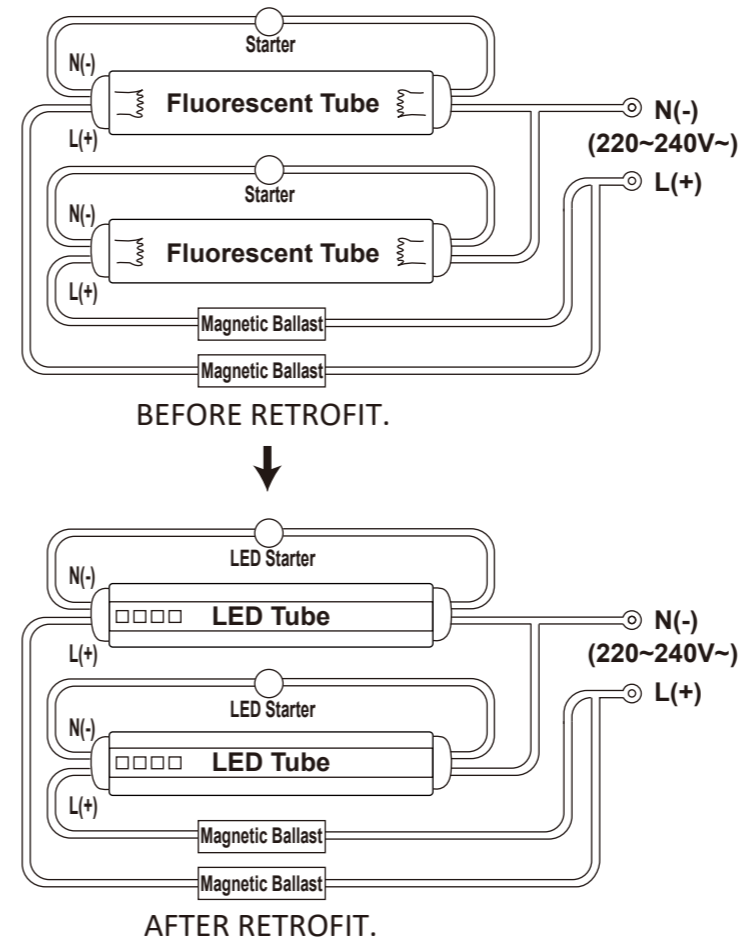
Retrofit 1:

Wiring Example of a single circuit luminaire with magnetic or low loss ballast.



*If the luminaire contains a compensating capacitor, please ensure it is removed from the circuit.

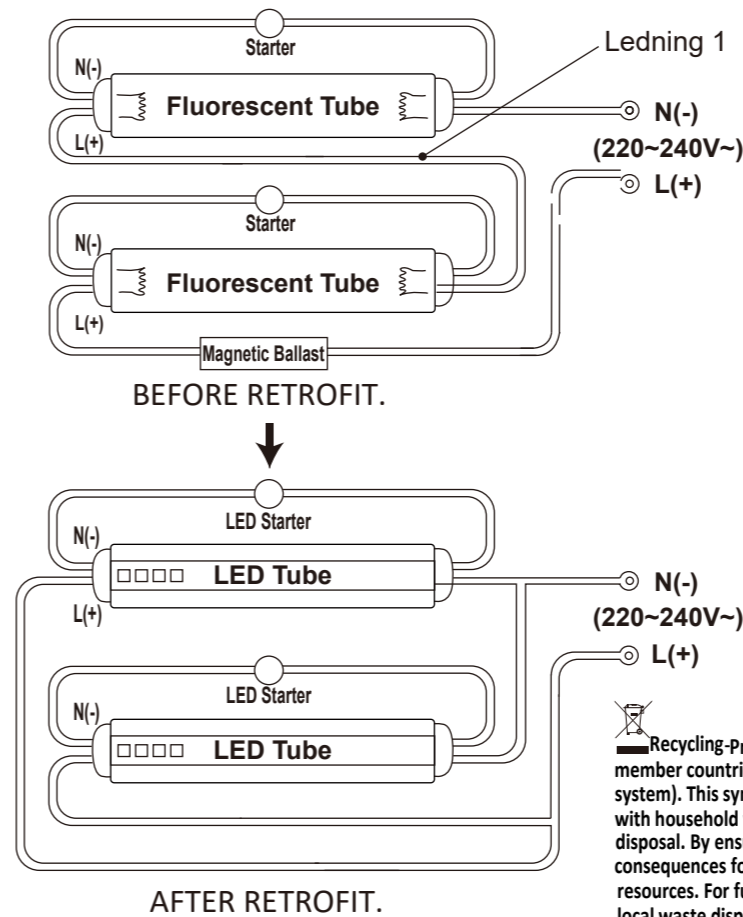
Wiring Example of a double circuit luminaire with magnetic or low loss ballast.



*If the luminaire contains a compensating capacitor, please ensure it is removed from the circuit.

Retrofit 2:

Wiring Example of a tandem circuit luminaire with magnetic or low loss ballast.



Instruction:

1. Switch off power supply!
2. Remove the conventional fluorescent tube and starter.
3. Take out the magnetic ballast.
4. Take out the wire 1.
5. Connect the positive terminal of both LED tube 1 and tube 2 to the positive terminal of the power supply
6. Connect the negative terminal of both LED tube 1 and tube 2 to the negative terminal of the power supply
7. Install the T8 LED tubes and LED Starters to the tube fixture separately.
8. Switch on the power supply.

Recycling-Processing of electric and electronic equipment at the end of their service life (applicable in member countries of the European Union and other European countries operating a selective waste collection system). This symbol, affixed to the product or its packaging, indicates that the product must not be processed with household waste. It must be brought to an electric and electronic waste collection point for recycling and disposal. By ensuring the appropriate disposal of this product you also help in preventing potentially negative consequences for the environment and human health. The recycling of materials helps preserve our natural resources. For further information regarding the recycling of this product, please contact your municipality, local waste disposal centre or the store where the product was purchased.